

Halogen Light

Operating instructions

H1000

CE

Thank you for choosing FOMEX lighting systems





Please read this manual before operating

Contents

- Before use
- Part names
- Part names and function of control panel
- Operating procedure
- Specification
- Replacement and maintenance of lamp
- Troubleshooting


Before use


1. Check the input voltage.
2. Disconnect this unit from the power supply before changing a bulb or a fuse. Use the specified fuse only.
3. Do not use in humid or hazardous places or near inflammable materials.
4. For safety, please power OFF when not in use.
5. Do not move the flash while the power is on.
6. Make sure not to use a softbox near inflammable materials. The heat emitted from the product may cause fire.
7. If force / impact applied, the filament of modeling lamp might be blown.
8. Must be connected to the earthed socket. 
9. When either assembling or disassembling accessories (e.g. snoot, reflector, etc.), turn OFF the modeling lamp and wait for at least 10 minutes before changing and/or replacing the accessories.
10. Do not remove Pyrex Dome during use. It protects users from the damage of lamp by heat. (HD series only)
11. Never open this unit, high voltage inside.
12. No internal serviceable parts.
13. Fomex accepts no responsibility for electric shock  or equipment damage due to unauthorized modification and/or repairs.
14. Keep out of children's reach.

Attention

The lamp shall be replaced if it is damaged or thermally deformed.

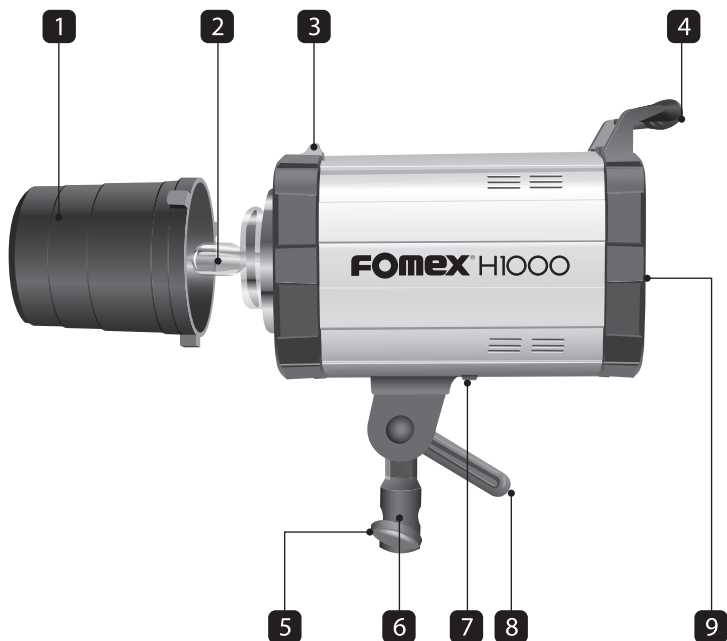
Pyrex shall be replaced if it is visibly damaged. (cracks or deep scratches)

 0.5m over (symbol)

 Symbol for earthed socket.

 Symbol for electric shock.

Part Names



1. Protection cap
2. Modeling(Halogen) lamp
3. Locking knob for accessory assembly
4. Lighting grip
5. Stand stud joint fastening bolt

6. Stand stud joint part
7. Fastening bolt
8. Handle for fastening
9. Control panel

Part Names & Functions of Control panel



1. Power On/Off indicator
2. Modeling lamp indicator
3. Modeling lamp control dial : Controls the brightness of modeling lamp
4. AC input : Socket terminal to connect the power cord
5. Fuse box : Contain fuse
6. Power switch (ON/OFF)
7. Umbrella holder

Operating procedure - H1000

1. Install the modeling lamp in the lighting unit.
2. Check and see if modeling lamp control dial and power switch are at the default settings, then connect the power cord to input socket terminal.
3. Turn ON the power switch.
4. Control the brightness of modeling lamp with modeling lamp control dial.

Caution

1. Do not touch the halogen lamp with bare hands to avoid the risk of damage caused by fingerprints or fine dirt. Please handle it with a dry cloth or glove.
2. Be careful of burning as high heat occurs during use. Please check whether the heat has sufficiently been decreased when you install or uninstall softbox or reflector.
3. Remove the white inner diffuser when you use the Softbox to keep the distance from more than 25cm between the lamp and the white outer diffuser.
4. Do not use the product as a top lighting by tilting more than 70 degrees. The heat of the internal product will increase and the product lifespan and safety.

Specification

FOMEX H1000

Voltage	AC 110V, AC 220V 50/60Hz
Model Lamp	Halogen 650W (GX6.35 Base)
Model Lamp Control	Volume controller (VR)
Cooling System	DC Cooling fan
Dimension mm (W x L x H)	296x140x220mm
Weight	1.5kg / 3.3lbs

The listed values may differ due to tolerances in components and/or measuring instruments.
Technical datas are subjected to change without prior notice.

A. How to replace a modeling lamp (base: GX-6.35, pin type)

1. Allow the modeling lamp to cool down enough, turn it counterclockwise and remove.
2. While assembling, turn it clockwise and then reassemble it.
3. Be careful not to allow any fingerprint or dust stains on lamp.
4. Clean with a soft cloth applied with alcohol after replace.

B. How to replace a fuse

1. Turn OFF the power, and unplug the power cord from the AC socket.
2. Use a (-) screwdriver, and open the fuse box to pull out the fuse.
3. Check if the fuse is blown, then replace it with the spare fuse placed inside the fuse box.

C. Maintenance

- Wipe off any dust or foreign matter in the tube/lamp with a soft cloth.
- It may shorten the lifespan and deteriorate the color temperature, therefore clean them with soft clothes.
- The flash can be used continuously at full power for 10 minutes, and then it should be cooled down for one minute.

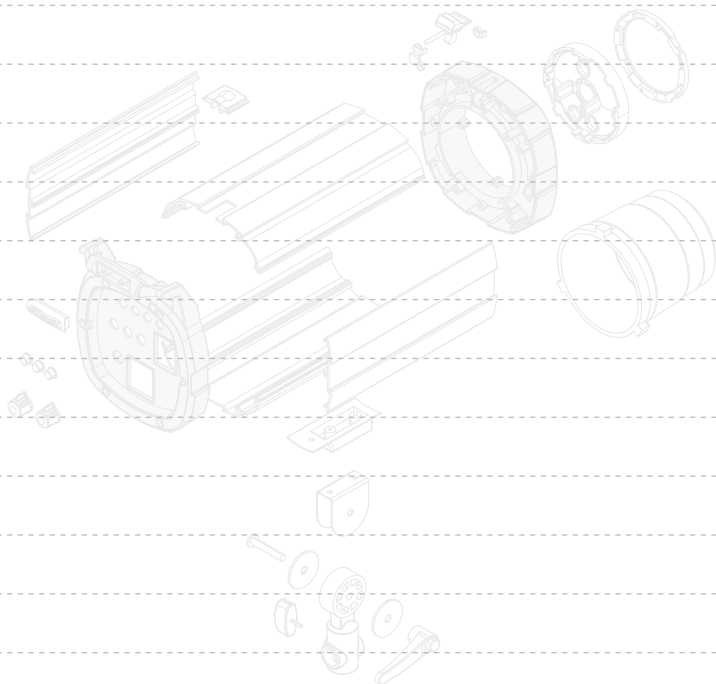
Attention

When input voltage is lower than the rated voltage, there can be cases where flash doesn't produce its maximum output. This is not a malfunction, please check the input voltage.

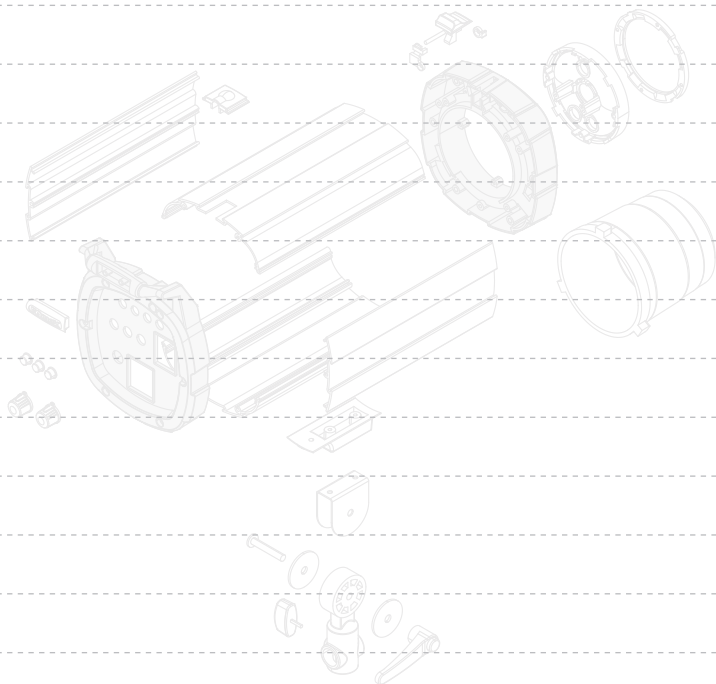
Trouble shooting

Status	Expected cause	Check points
Halogen lamp is not working.	Lamp filament is broken.	Replace the halogen lamp.
	Fuse is blown.	Replace the fuse with the spare fuse.
	Circuit is defective.	Contact head office or its seller.
Power indicator lamp is not on.	Power switch is defective.	<ul style="list-style-type: none"> • Replace the power switch. • Please contact your local dealer or FOMEX directly.
	Fuse is blown.	<ul style="list-style-type: none"> • Replace the fuse with the spare fuse. • Please contact your local dealer or FOMEX directly.
There's no reaction at all.	Power supply is interrupted.	<ul style="list-style-type: none"> • Check if the power cord is properly connected. • Check if the contact of socket is loose. • Check if the fuse is blown.
Other trouble shoots	Please contact your local dealer or FOMEX directly.	

Memo



Memo



H1000

HYUNDAI FOMEX CO.,LTD.

www.fomex.com

TEL : +82 2 545 0004 FAX : +82 2 3444 9399

info@fomex.com fomex@fomex.com