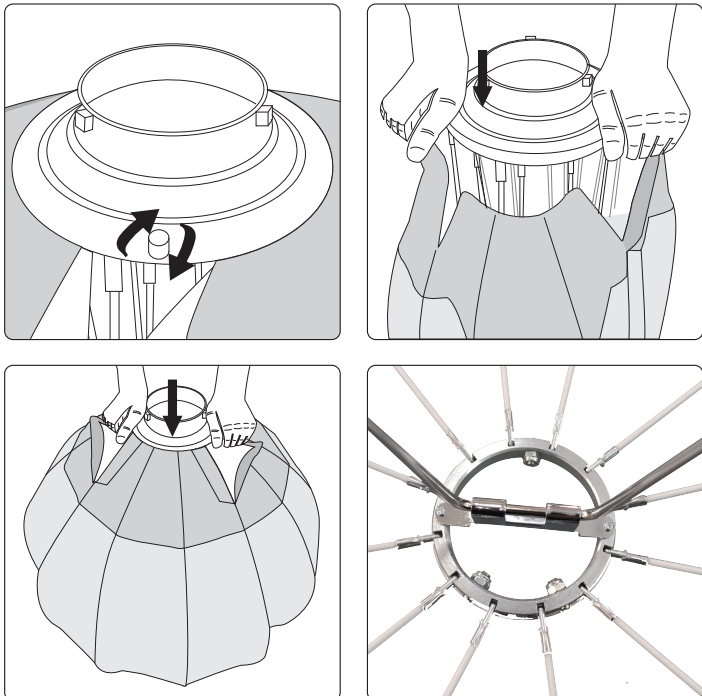


Aputure Lantern 90 User Manual

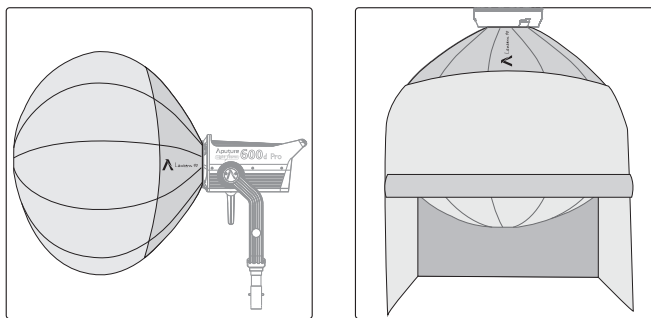
Thanks for purchasing the Aputure Lantern 90.

Aputure Lantern 90 is a new Aputure softbox accessory, Universal Bowens mount design, makes it compatible with Bowens mount lights. The Omni-directional Soft Light output and flexible barn doors feature, can support more lighting layout option.

Install/unlock



Attach to light fixture



Main Features

1. Universal Bowens Mount.
2. Flexible Fabric 4-leaf Barn Doors.
3. 1-stop Fabric Diffusion.
4. Omni-directional Soft Light Output

Package includes

1. Lantern Spring Cage x1
2. Diffusion x1
3. Fabric Barn Doors x1
4. Carry Bag x1

Specification

Product Unfold Dimensions	900x900x700mm/35.4x35.4x27.5"
Product Collapsed Dimensions	180x180x1150mm/7x7x45"
Box Dimensions	200x200x1170mm/7.9x7.9x46"
Net Weight	2.59kg/5.7lbs
Diffusion Stops	1-stop

Detailed product manual for Lantern 90 can be found on www.aputure.com.

Aputure® GUARANTEE CARD

Serial No.	
Item Name	
Purchase Date	
Buyer Name	
Buyer Phone	
Buyer Add	
Franchiser Seal	

Aputure®
Aputure Imaging Industries Co., Ltd.
Inspection: Qualified
Add: F73, Building 21, Longjun Industrial Estate, HePing West Road, Shenzhen, Guangdong

Service Warranty (EN)

Aputure Imaging Industries Co., Ltd. warrants the original consumer purchaser from defects in material and workmanship for a period of one (1) year after the date of purchase. For more details of warranty visit www.aputure.com

Important: Keep your original sales receipt. Be sure the dealer has written on it the date, serial No. of the product. This information is required for warranty service.

This warranty does not cover:

- Damage that is the result of misuse, abuse, accident (including but not limited to damage by water), faulty connection, defective or misadjusted associated equipment, or the use of the product with equipment for which it was not intended.
- Cosmetic defects that appear more than thirty (30) days after the date of purchase. Cosmetic damage caused by improper handling is also excluded.
- Damage that occurs while the product is being shipped to whoever will service it.

This warranty is void if:

- The product identification or serial No. label is removed or defaced in any way.
- The product is serviced or repaired by any one other than Aputure or an authorized Aputure dealer or service agency.

Aputure Imaging Industries Co., Ltd.
Add: F73, Building 21, Longjun Industrial Estate,
HePing West Road, Shenzhen, Guangdong
E-MAIL: cs@aputure.com
Sales Contact: (86)0755-83285569-613

Aputure® 保修卡

产品编号	
产品名称	
购买日期	
用户姓名	
用户电话	
用户地址	
经销商印章	

Aputure®
爱图仕
深圳市爱图仕影像器材有限公司
检验:合格
地址:深圳市龙华新区和平西路9号九家龙军工业区

保修条款(中文)

本公司对产品第一类主客户提供为期一年的质量保证期,质保内容和细节,请登陆我们的网站www.aputure.com.

重要说明: 请保留您购买单据及保修卡,确定您购买的相应商资料都在此单据,同时包括您的购买日期,产品序列号等,这些资料质保服务时都会需要提供。

质保范围不包括:

- 产品不当使用, 破坏, 意外, 错误接线, 不良或受损的外接装置, 不适合的外接装置所造成的损坏(包括暴露于雨水等损坏), 不在质保范围。
- 自购买日30天后产品外观的损伤, 或是不当的表面处理接触造成的外观损伤, 不在质保范围。
- 经销商运送所造成的损坏, 不在质保范围。

质保无效说明:

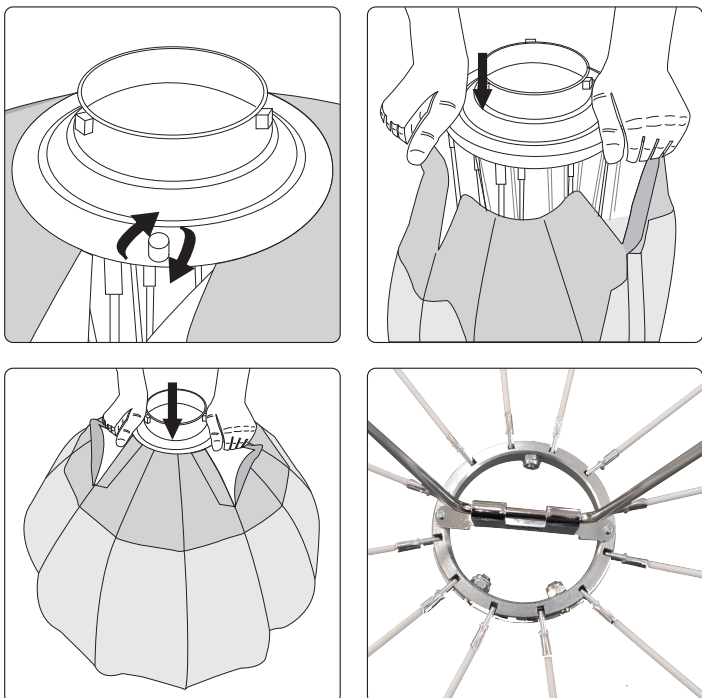
- 产品序列号标识已被撕去或无法辨识, 本质质保无效。
- 产品未经本公司或者指定授权维修公司的检修及改装, 本质质保无效。

深圳市爱图仕影像器材有限公司
地址: 广东省深圳市龙华和平西路9号九家龙军工业区21栋3楼
邮编: cs@aputure.com
销售热线: 0755-83285569-613
服务热线: 400-0999-028

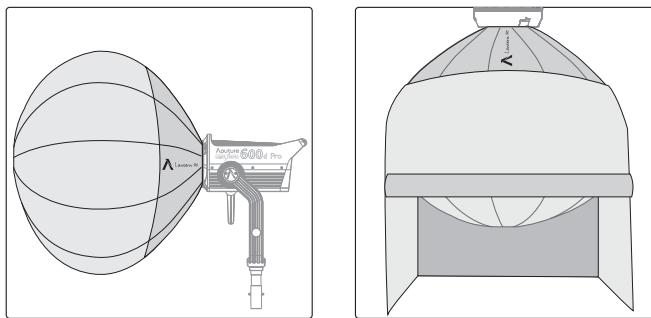
感谢购买爱图仕Lantern 90.

爱图仕Lantern 90是一款全新爱图仕柔光附件, 接口形式维持通用的保荣口设计, 可以兼容保荣口灯具, 全指向柔光输出, 配上独有的软遮扉设计, 可以完成更多布光需求。

安装/拆卸



灯笼安装到灯上



主要功能

1. 通用保荣卡口接口;
2. 柔性4叶挡光板;
3. 1档减光柔光布;
4. 全指向发光。

包装清单

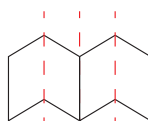
1. 灯笼架子 x1
2. 灯笼布 x1
3. 柔性遮扉 x1
4. 手提包 x1

产品规格

灯笼展开尺寸	900x900x700mm/35.4x35.4x27.5"
灯笼收纳尺寸	180x180x1150mm/7x7x45"
箱子尺寸	200x200x1170mm/7.9x7.9x46"
净重	2.59kg/5.7lbs
柔光布减光	1档减光

您可以在本公司网站 <http://www.aputure.com/cn> 下载本产品的详细使用者指南。

折页方式:



为折线(不印刷)

折页成型 (英文在正面):



Aputure® 深圳市爱图仕影像器材有限公司		图号	AP-220-PR-01
设计项目	220说明书	版本	V1.0
尺寸 (mm)	315*140mm 折页尺寸: 105*140mm	设计师	Ingrid
材质工艺	70g 书纸, 正反两面印刷	日期	20200813
备注	料号: 522000050000		