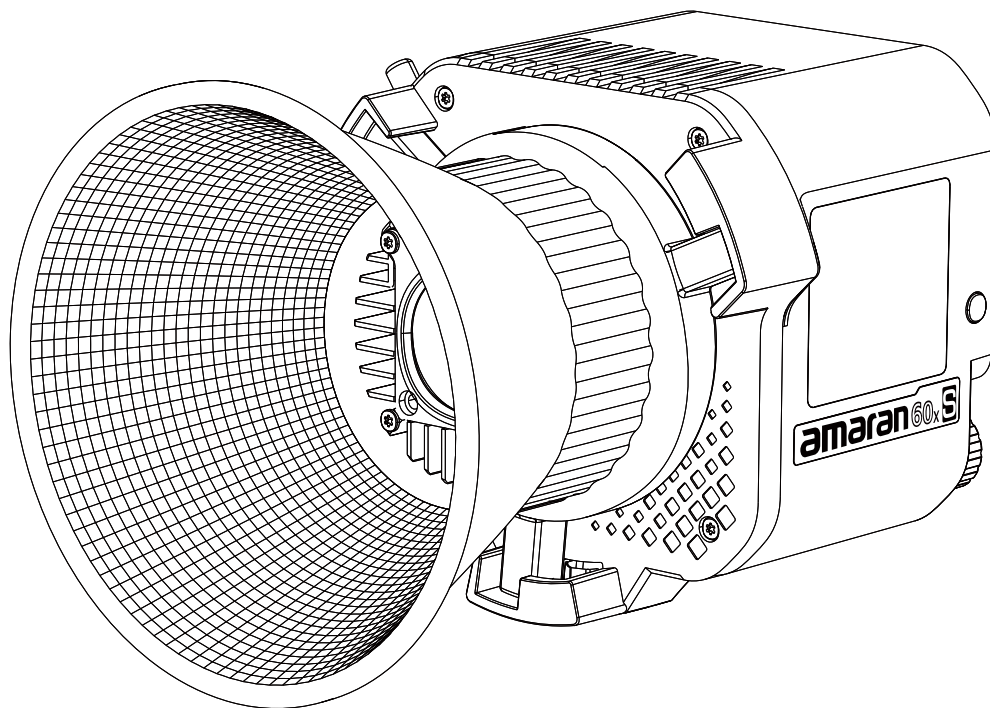


**amaran**<sup>®</sup>  
by Aputure<sup>®</sup>



# amaran 60x S

Product Manual

English

# Introduction

Thank you for purchasing the "amaran" series of RGBWW COB lights - amaran 60x S.

Amaran 60x S is a 65W full color LED light. It has a new and colorful appearance design and supports full-color output of light sources. Advanced software interaction design, minimalist control method, compatible with Sidus Link® APP control. Amaran 60x S will provide you with lightweight and cost-effective lighting solutions; the newly upgraded exterior color will give you a wonderful visual experience.

## Important Safety Instructions

When using this unit, basic safety precautions should always be followed, including the following:

### WARNING

1. Please remove the protective cover before use.
2. Please remove the protection cover before using the reflector.

1. Read and understand all instructions before using.
2. Close supervision is necessary when any fixture is used by or near children. Do not leave the fixture unattended while in use.
3. Care must be taken as burns can occur from touching hot surfaces.
4. Do not operate the fixture if a cord is damaged, or if the fixture has been dropped or damaged, until it has been examined by qualified service personnel.
5. Position any power cables such that they will not be tripped over, pulled, or put into contact with hot surfaces.
6. If an extension cord is necessary, a cord with an amperage rating at least equal to that of the fixture should be used. Cords rated for less amperage than the fixture may overheat.
7. Always unplug the lighting fixture from the electrical outlet before cleaning and servicing, or when not in use. Never yank the cord to remove the plug from the outlet.
8. Let the lighting fixture cool completely before storing. Unplug the power cable from lighting fixture before storing and store the cable at assigned space of the carrying case.
9. To reduce the risk of electric shock, do not immerse this fixture in water or any other liquids.
10. To reduce the risk of fire or electric shock, do not disassemble this fixture. Contact [cs@aputure.com](mailto:cs@aputure.com) or take the lighting fixture to qualified service personnel when service or repair is required. Incorrect reassembly may cause electric shock when the lighting fixture is in use.
11. The use of any accessory attachment not recommended by the manufacturer may increase the risk of fire, electric shock, or injury to any persons operating the fixture.
12. Please power this fixture by connecting it to a grounded outlet.
13. Please remove the protective cover before use.
14. Please remove the protection cover before using the reflector.
15. Please do not block the ventilation or do not look at the LED light source directly when it is powered on. Please do not touch the LED light source in any condition.
16. Please do not place the LED lighting fixture near any flammable object.
17. Only use a dry microfiber cloth to clean the product.
18. Please do not use the light fixture in wet condition on account of electric shock may be caused.

- 19. Please have the product checked by an authorized service personnel agent if the product has a problem. Any malfunctions caused by unauthorized disassembly are not covered by the warranty. The user may pay for maintenance.
- 20. We recommend only using the original Aputure® cable accessories. Please note that any malfunctions caused by using unauthorized accessories are not covered by the warranty. The user may pay for maintenance.
- 21. This product is certified by CE, ROHS, UKCA, FCC, IC, cTUVus, RCM, PSE, KC, inspection report, NCC. Please operate the product in full compliance with relevant country's standards. Any malfunctions caused by incorrect use are not covered by warranty. The user may pay for maintenance.
- 22. The instructions and information in this manual are based on thorough, controlled company testing procedures. Further notice will not be given if the design or specifications change.

## SAVE THESE INSTRUCTIONS

### FCC Compliance Statement

<b>WARNING</b>
<b>Changes or modifications not expressly approved by the party responsible for compliance could void the user's authority to operate the equipment.</b>
<b>NOTICE</b>
<b>This equipment has been tested and found to comply with the limits for a Class B digital device, pursuant to Part 15 of the FCC Rules. These limits are designed to provide reasonable protection against harmful interference in a residential installation. This equipment generates, uses, and can radiate radio frequency energy and, if not installed and used in accordance with the instructions, may cause harmful interference to radio communications. However, there is no guarantee that interference will not occur in a particular installation.</b>

If this equipment does cause harmful interference to radio or television reception, which can be determined by turning the equipment off and on, the user is encouraged to try reorient or relocate the receiving antenna.

- Increase the separation between the equipment and receiver.
- Connect the equipment to an outlet on a different circuit than the receiver is connected to.
- Consult the dealer or an experienced radio/TV technician for help.

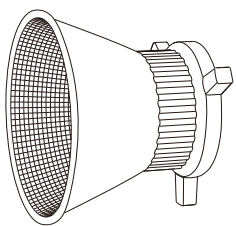
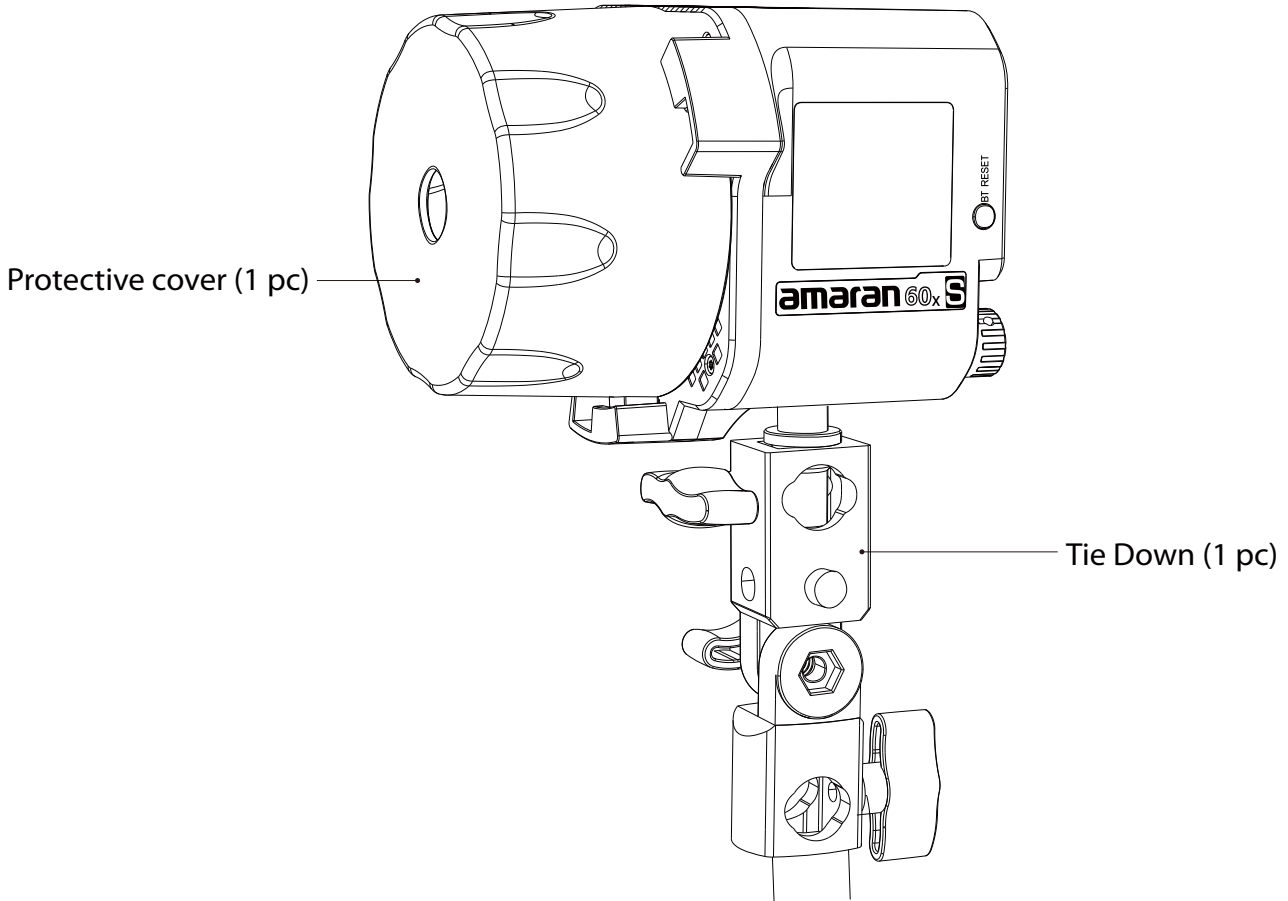
### RF Warning Statement:

This device has been evaluated to meet general RF exposure requirements.

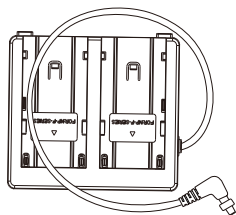
# Components List

Please make sure all accessories listed below are completed before using. If not, please contact with your sellers immediately.

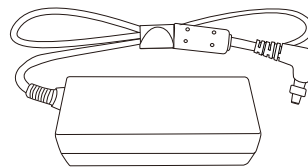
## amaran 60x S Standard Kit :



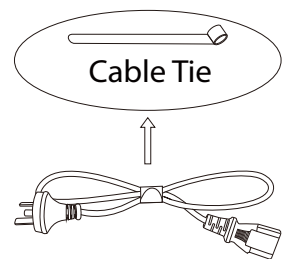
Hyper reflector (1 pc)



Battery case (1 pc)



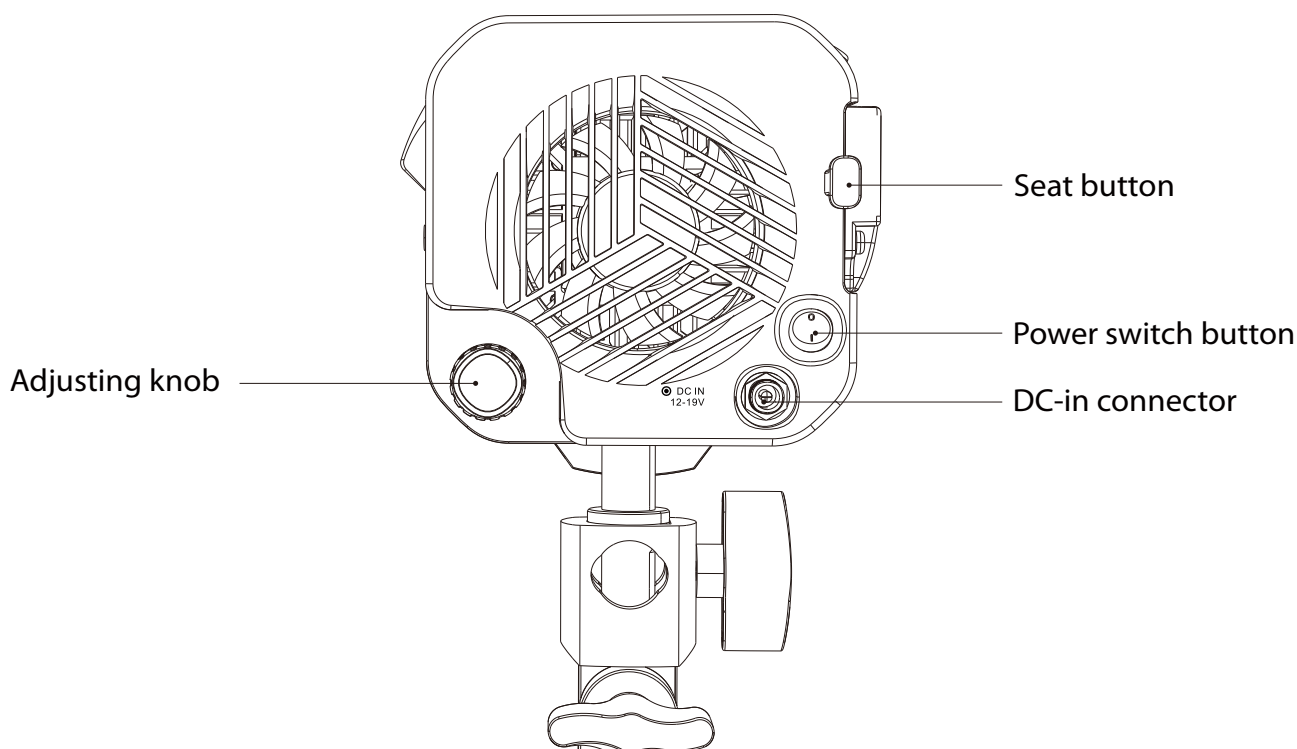
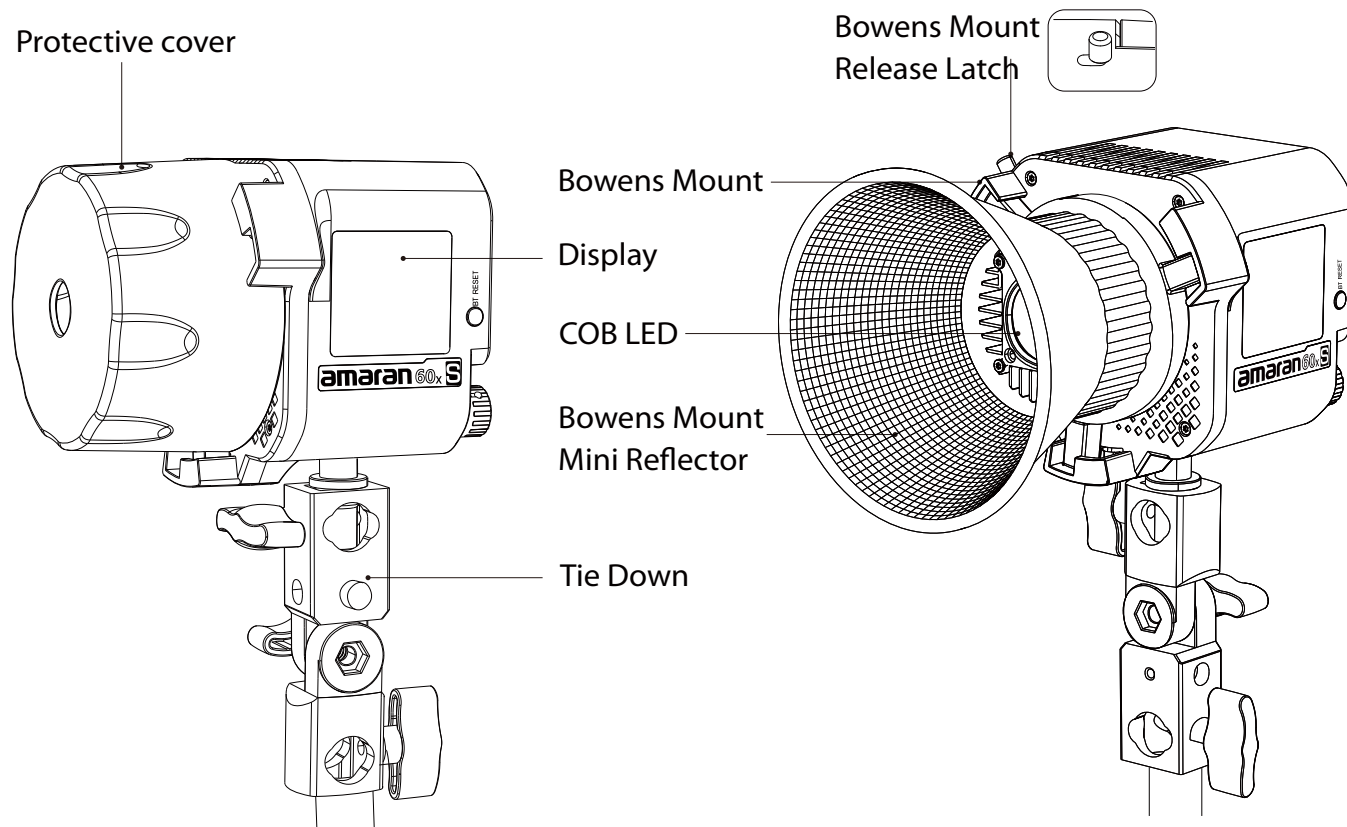
Power Adapter (1 pc)



Power cable (1 pc)

\* *Tips: The illustrations in the manual are only diagrams for reference. Due to the continuous development of new versions of the product, if there are any differences between the product and the user manual diagrams, please refer to the product itself.*

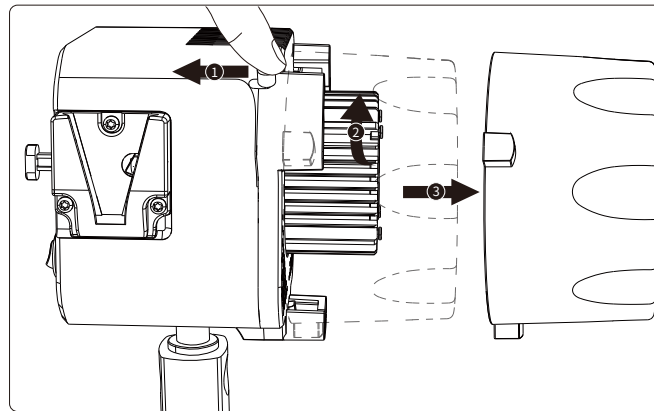
# Product Details



# Installations

## 1. Detaching /attaching the Protection Cover

Push the handle of the lever in the direction of the arrow shown in the picture, and rotate the cover to pull it out. Reverse rotation will put the protective cover into.

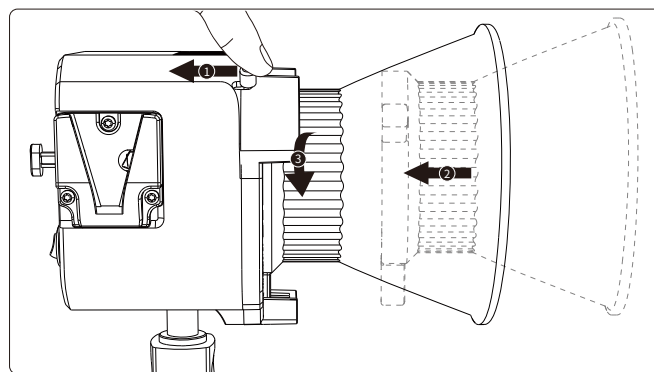


### WARNING

Always remove the protection cover prior to turning on the light. Always re-install the cover when packing it away.

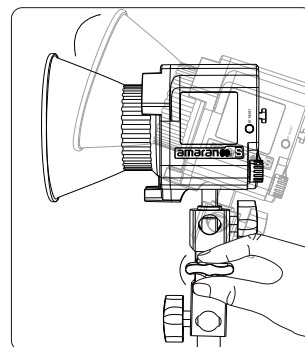
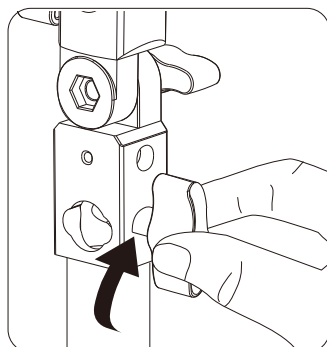
## 2. Attaching/detaching the Reflector

Push the lever handle according to the arrow direction shown in the picture, and rotate the reflector into it. Rotating in the opposite direction pulls out the reflector.



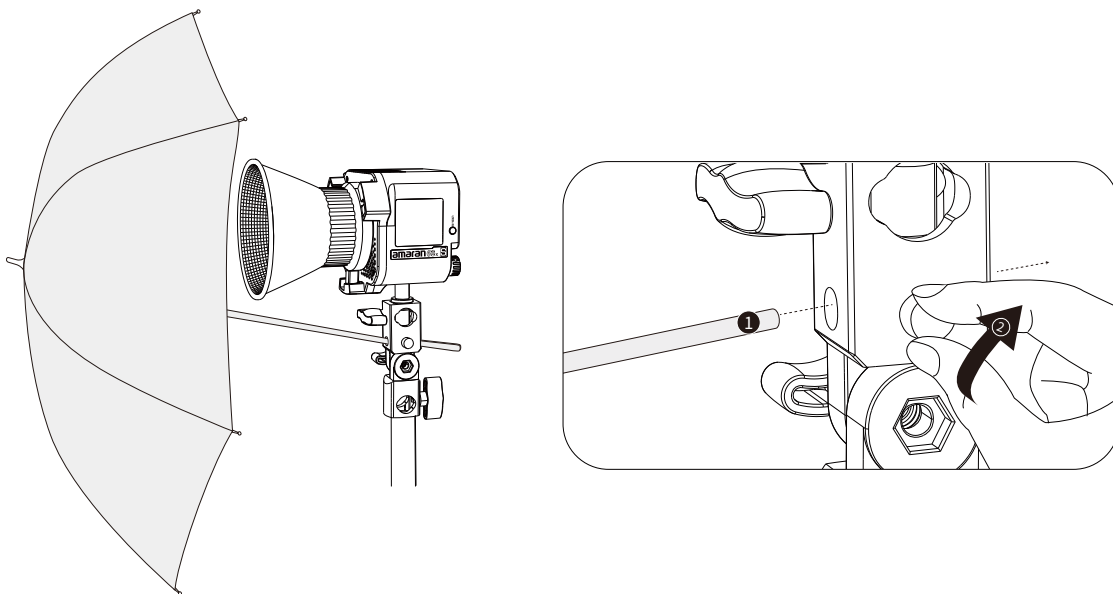
## 3. Setting up the light

Adjust the lamp body to the appropriate height, rotate tie-down to fix the lamp body on the tripod, then adjust the lamp body to the required angel, and tighten the lock handle.



## 4. Soft light umbrella installation

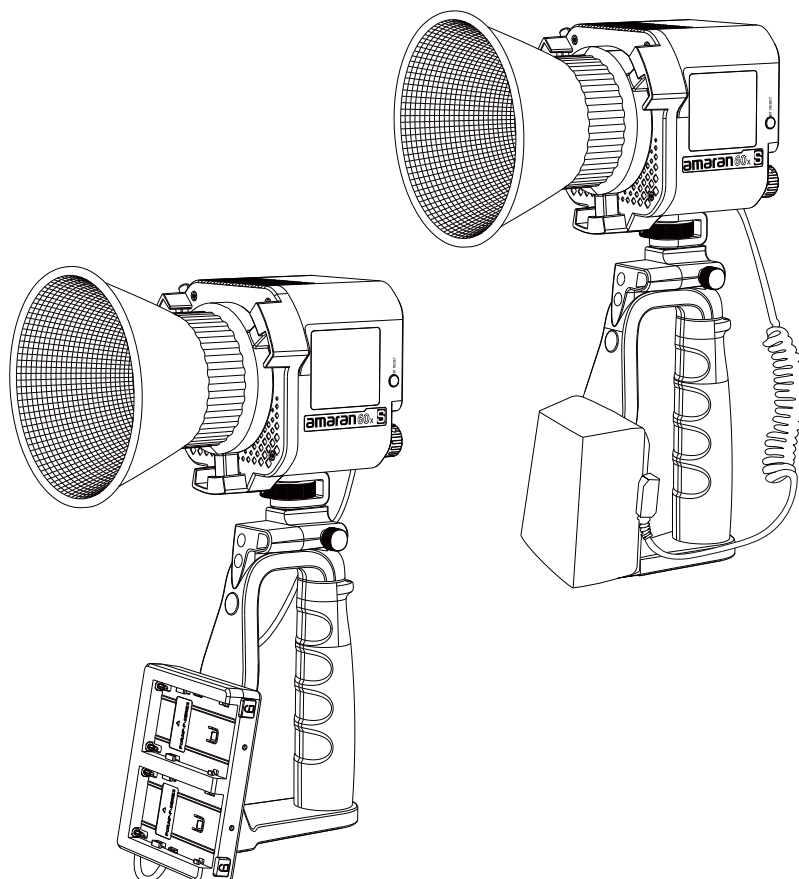
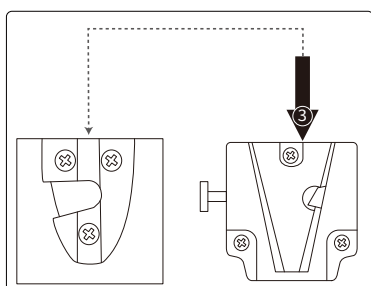
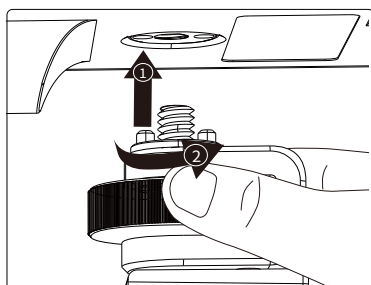
Insert the soft light handle into the hole, then lock the locking knob.



*\*The soft light umbrella sold separately.*

## 5. Battery handle installation

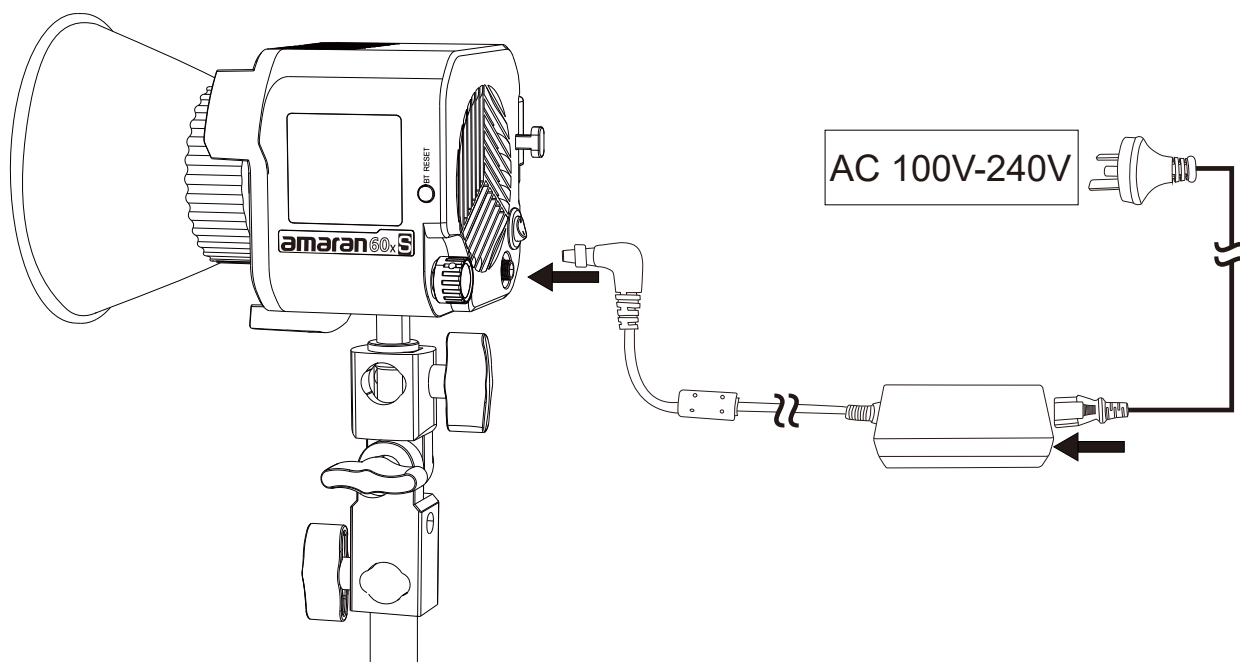
Tighten the lamp body and the battery handle via 1/4 screw, then attach the battery plate or V-mount battery to the handle with the V-mount lock.



*\*The battery sold separately.*

## 6. Power supply

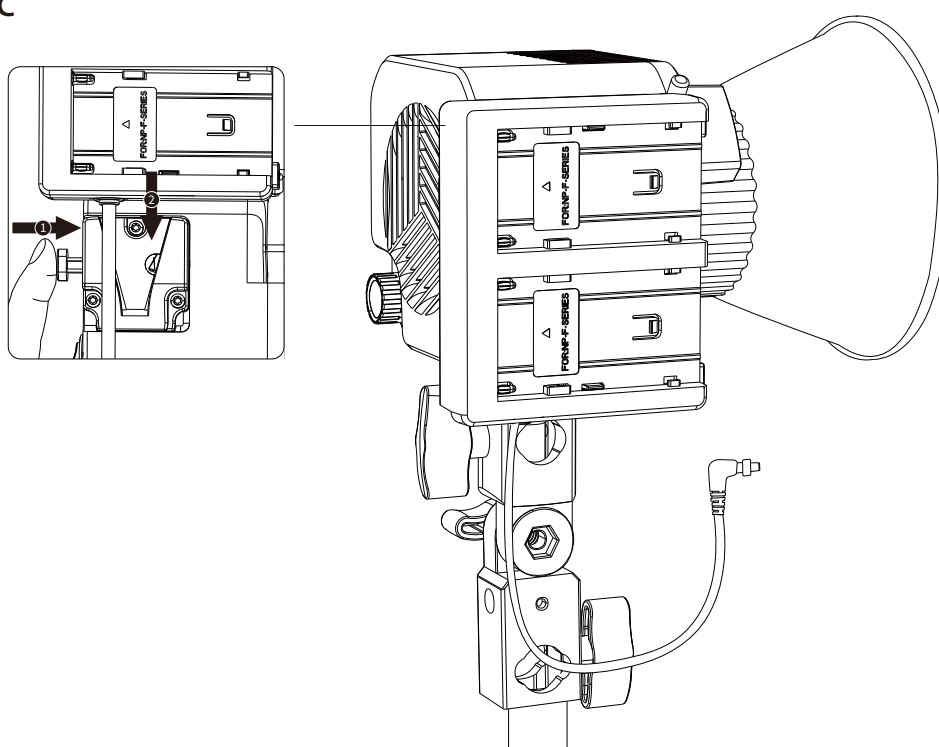
Powered by AC



*\*Please press the button on the DC interface to remove the power cord from the lamp.  
Do not pull it out forcibly.*

*\*Please press the spring-loaded lock button on the power cord to remove the power cord.  
Do not pull it out forcibly.*

Powered by DC



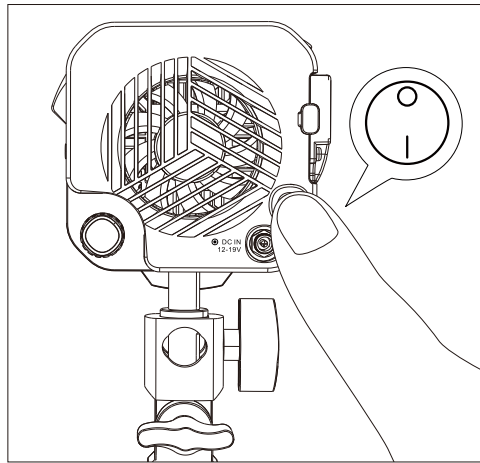
*\*Batteries sold separately. Please press the seat button to remove the batteries.  
Do not pull it out forcibly.*



# Operations

## 1.Power ON/OFF

Press the power button to turn the light on and off.



## 2.Manual Control

### 2.1 Menu



### 2.2 INT / CCT

#### Brightness adjustment:

- Rotate the INT adjusting knob to adjust the brightness with 1% variable, and the brightness change range is (0-100) %, and display the change of (0-100) % in real time on the LIGHT body LCD display.
- Click the INT adjustment knob to quickly switch the brightness level: 20%→40%→60%→80%→100%→20%→40%→60%→80%→ 100% cycle switch.



### CCT adjustment:

a. rotate the knob to adjust the CCT with 100K variable and the CCT range is 2700K~6500K and display the change of 2700K~6500K in real time on the LIGHT body LCD display.

b. Click the knob to quickly switch the CCT: 2700k→3200k→4300k→5600k→6500k cycle switch.

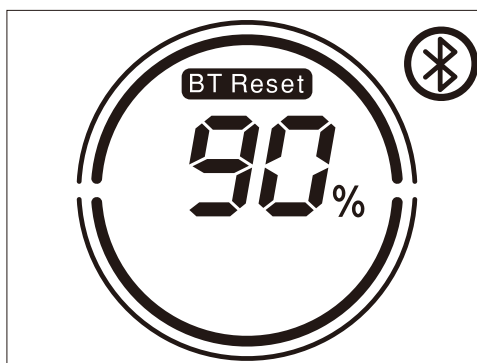


## 2.3 FX

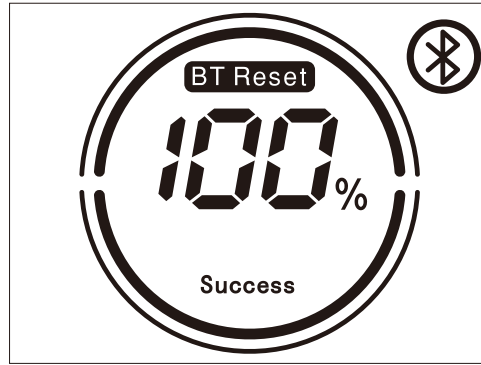
Connect Sidus Link® APP, the user can find the Bluetooth serial number corresponding to the lamp in the APP and connect. When controlling the light effect through the APP, "FX" will be displayed on the upper left corner of the screen. In wireless mode, 9 lighting effects can be controlled through APP: **Paparazzi / Fireworks / Faulty Bulb / Lightning / TV / Pulsing / Strobe / Explosion / Fire.**

## 2.4 BT Settings

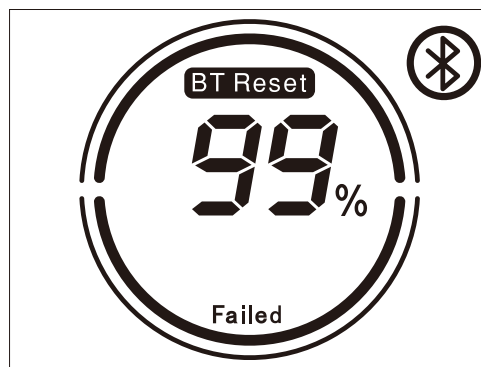
1. Long press the Bluetooth reset button to reset Bluetooth.
2. During the reset process, the LCD displays "BT Reset" and the Bluetooth icon is flashing, and the percentage shows the current reset progress.



3.The LCD will display “Success” after the Bluetooth reset is successful.



4. The LCD will display “Failed” after the Bluetooth reset is unsuccessful.



5. After resetting the light's Bluetooth connection, your mobile phone or tablet will be able to connect to and control the light.

## 2.5 Update

Firmware updates can be updated online via the Sidus Link® app for OTA updates.



## 3. Using the Sidus Link® APP

You can download the Sidus Link® app from the iOS App Store or Google Play Store for enhancing the functionality of the light. Please visit [Sidus.link/app/help](https://Sidus.link/app/help) for more details regarding how to use the app to control your Aputure® lights.



Sidus.link/app/help



Get Sidus Link® App

## Specifications

DC Input Power(Max)	78 W	Output Power(lamp)	65 W
CCT	2700 K - 6500 K	CRI	97
TLCI	97	CQS	95
SSI (D32)	91	SSI (D56)	87
TM-30 Rf (avg.)	96	TM-30 Rg (avg.)	100
Luminous flux	6000 lm	Beam angle	Naked: 109° Reflector: 14°
Power supply	DC: 19 V / 4.73 A AC: 100 V - 240 V / 1.5A V-Mount Battery: 12 V - 16.8 V	Operating temperature	-10°C ~ +40°C
Storage temperature	-20°C ~ +80°C	Control Methods	Manual, Sidus Link® App
Firmware upgrade method	Sidus Link® App	Remote control distance(Bluetooth)	≤ 80 m
Display	LCD	Cooling method	Active
Dimensions(Bracket not included)	117×111×111 mm / 5×4×4 in	Weight	695 g / 1.5lbs

# Photometrics

CCT	Distance	Bare Bulb/lux	Hyper reflector/lux
2700K	0.5 m	8270	96100
	1 m	2087	27750
	3 m	252	2965
3200K	0.5 m	8300	97400
	1 m	2100	28160
	3 m	252	2980
4300K	0.5 m	8890	105400
	1 m	2248	30500
	3 m	268	3230
5600K	0.5 m	9560	114700
	1 m	2427	33300
	3 m	288	3510
6500K	0.5 m	9560	120800
	1 m	2545	35100
	3 m	302	3700

\* This is an averaged result. The luminance of your individual unit may vary slightly from this data.